

► Application

A range of 10x38mm fuse links specifically designed for protecting photovoltaic strings. These fuse links are capable of interrupting low overcurrents associated with faulted photovoltaic string arrays (reverse current, multi-array fault).

► Structural Characteristics

- According to IEC60269-1
- Rated current: 1-32A
- Rated voltage: DC 1000V
- Rated breaking capacity: DC 20KA
- Operating class gPV for Solar protection



► Specifications

Pole	1P
Rated Voltage Ue (V DC)	1000
Rated Current In (A)	1,2,3,4,5,6,8,10,12,15,20,25,32
Biggest Block Ability(KA)	20
The Most High Power Consumption(W)	3.5

► Connection and Installation

Connection(mm2)	2.5 -1 0
Working Temperature(°C)	-30~+70
Resistance And Damp Hot	Class 2
Altitude(m)	≤ 2000
Relative Humidity	≤ 95%
Protection Class/Degree	IP20
Pollution	3
Installation Environment	No obvious shock and vibration
Installation Class/Type	Class III/DIN rail

► Size(mm)

		Size/Dimension(mm)	
(WxHxL)	W	18	
	H	60	
	L	78	
Fuse Size		10x38	
Fuse Link Weight(kg)		0.011	
Fuse holder weight(kg)		0.07	

► Application conditions

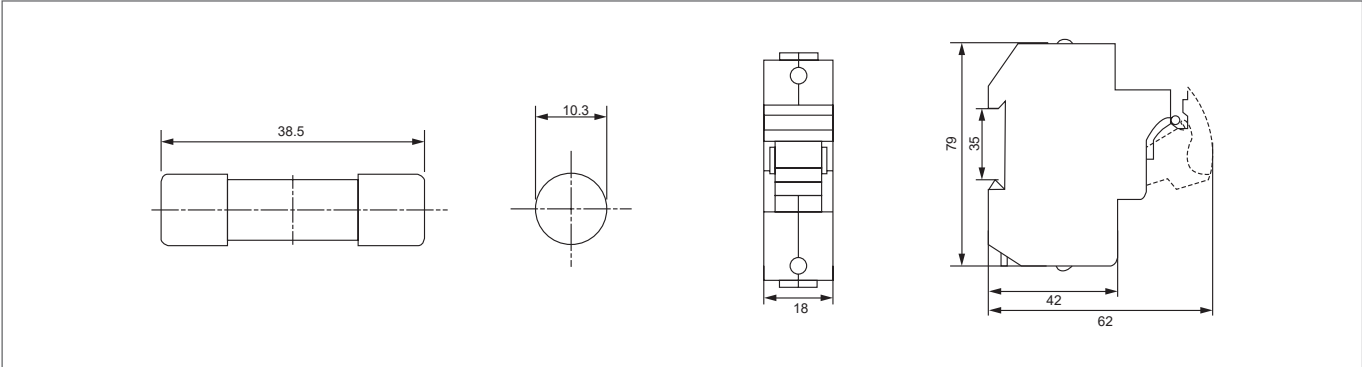
- Photovoltaic system fuse accord with UL248-1 standard.
- Photovoltaic battery dc fuse designed to used for photovoltaic (PV) system.
- Main effect is to protect the solar panels. Solar panels points in effective condition is broken.
- Fault light cells break points at the same time, does not affect other normal work of light from the stack.
- Technical Data Rated coltage: DC1000V Breaking capacity: 25KA Function level: PV.

FDS-32

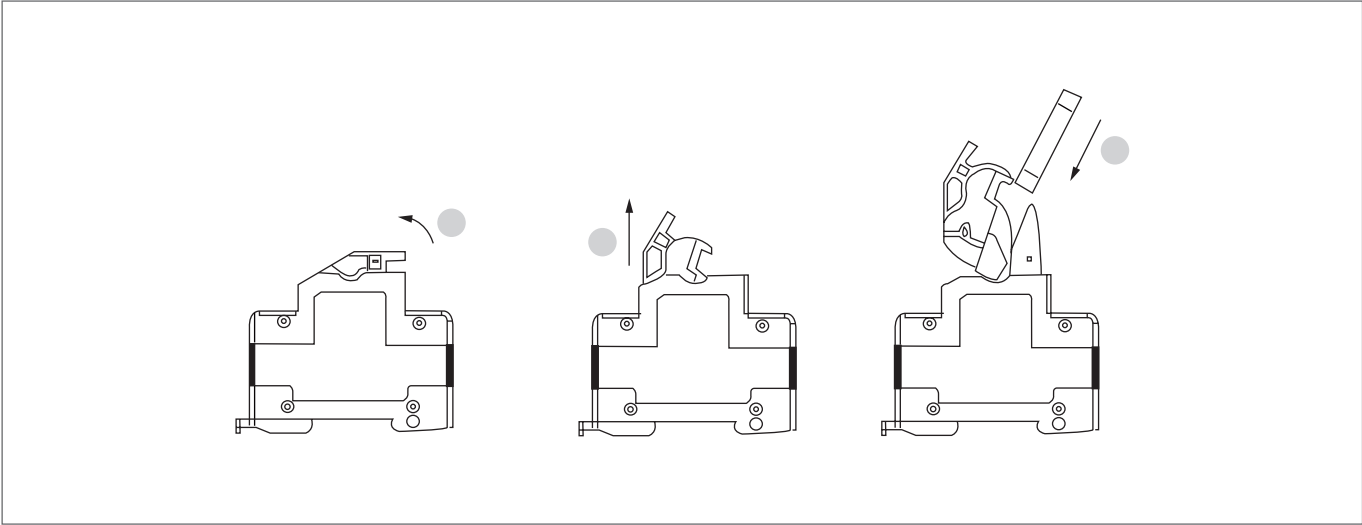
Solar DC Fuse



► Dimensions



► Installation



► Characteristic Curve

