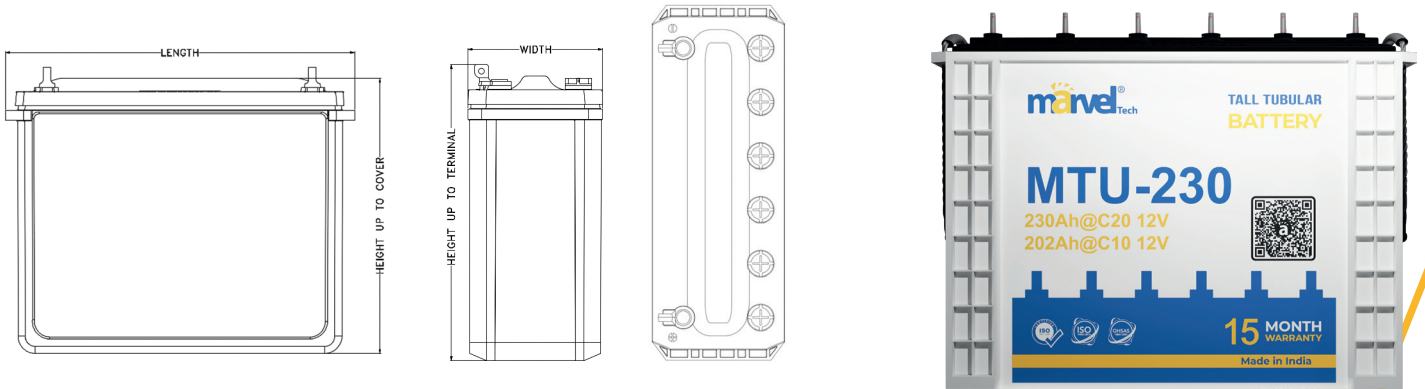


## MTU-230

230Ah@C20 12V  
202Ah@C10 12V



### Product Features:

1. Robust Tubular with High Pressure die-casted spine- resulting low rate of spine corrosion.
2. Spill Proof Vent plug – resulting in no spillage on top and low controlled acid fumes.
3. Optimized Negative paste receipt for fast charge acceptance
4. Consistent backup throughout life
5. Low Self Discharge
6. Excellent performance on deep cyclic application as compare to AGM VRLA
7. Very High Design & Service Life
8. Low water loss

## Technical Specifications

MODEL	VOLTAGE	CAPACITY @C <sub>20</sub>	DIMENSIONS (mm) Tolerance: ± 3 mm			GROSS WEIGHT (±3%)
			Length	Width	Overall Height (up to terminal)	
MTU-230	12	230	505	190	410	65

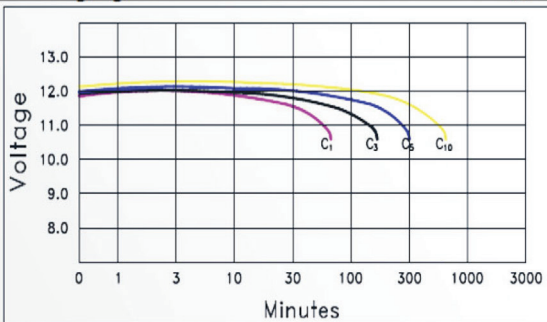
# Electrical Parameters & Charging Profile

CAPACITY AMP-HOUR (Ah)						
MODEL	C <sub>20</sub> @10.5V	C <sub>10</sub> @10.8V	C <sub>5</sub> @10.8V	C <sub>3</sub>	C <sub>2</sub> @10.8V	C <sub>1</sub> @10.5V
MTU-230	230	202	169	145	128	101

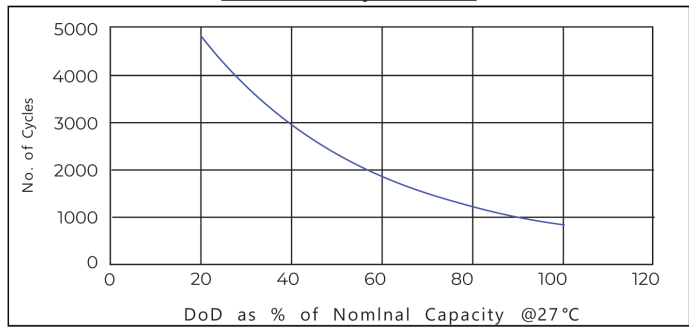
## CHARGE CHARACTERISTICS (27°C)

Cycle Use	Standby Use
14.40-15.0V (-40mV/°C), Maximum Current 30A	13.60-13.80V (-20mV/°C)

Discharging Characteristics at various rates @27°C



DoD Vs Cycle Life



## Charging Characteristics

